



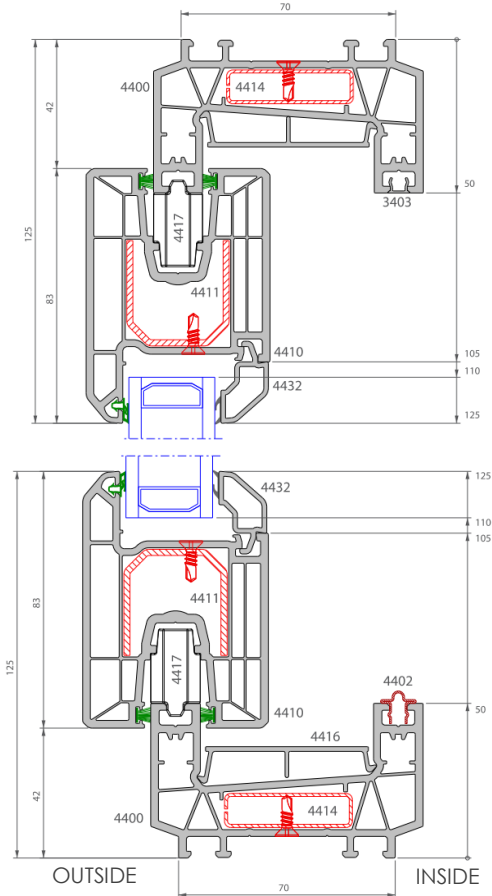
General Specification for Slider24 patio

- Deceuninck 70mm in-line sliding patio door
- White profile welded with 1.5mm pencil line finish on Graf welder
- Laminated profile welded with seamless joints on the Graf welder
- Chamfered 28mm bead with grey low sightline gasket
- Available in choice of 25 colour options
- 120mm Midrail option available which accepts letter plates
- A+ WER rating with unit a unit which has centre pane u-value of 1.2
- 1.4 u-value as standard 28mm double glazed 4mm Planitherm/20mm super spacer/4mm float, 90% argon filled unit
- 1.0 u-value with 36mm triple glazed 4mm Planitherm/12mm super spacer/4mm Planitherm/12mm super spacer/4mm float, 90% argon filled unit
- Water tightness rating 450Pa on full frame and 200Pa with low aluminium threshold with the slider on the inside
- Wind resistance rating 1200Pa (subject to overall frame size, see chart on page 5)
- The sliding sash is supplied on the inside track as standard
- **The sliding sash can be requested on the outside track, however a guarantee cannot be provided as this design has not be tested**
- Handles are available in white/gold/bronze/satin chrome/chrome or black
- Multi-point hook lock with anti-lift
- Head vents are only available in 40mm add-ons and cannot be put in the outer frame
- Aluminium interlocks with double brush pile seals
- Concealed drainage for improved aesthetics, face drainage is not available
- Part M compliant low aluminium threshold with stainless steel track available

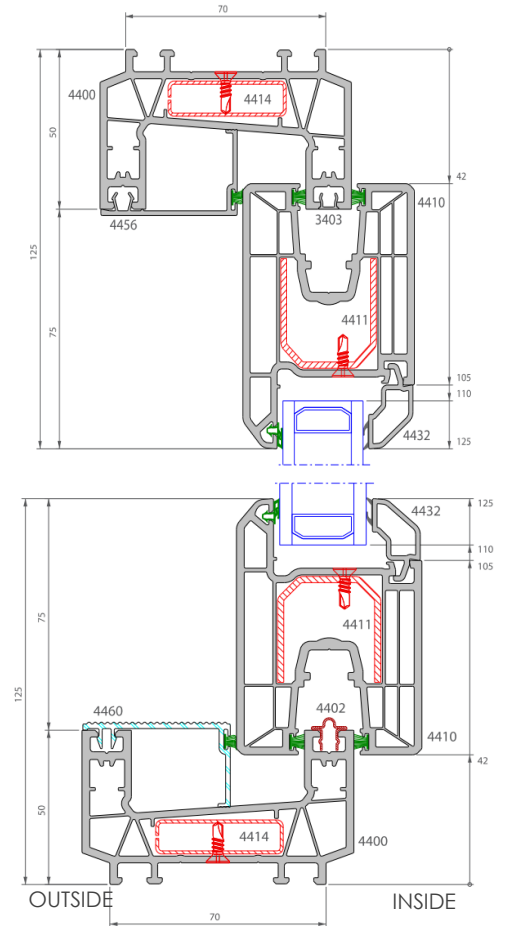
so you think all window companies are the same...think again!

Profile Details

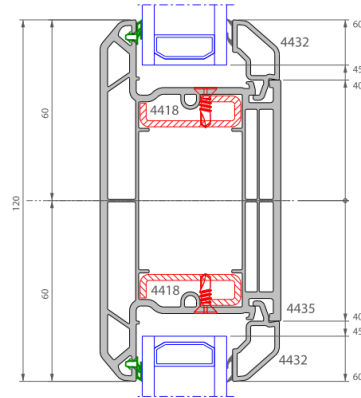
Fixed pane Head and cill detail



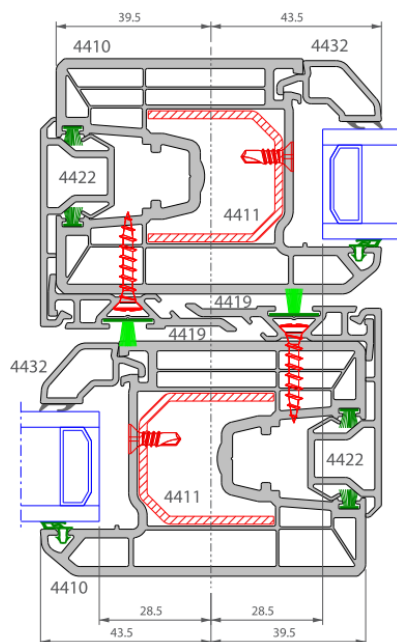
Sliding pane Head and cill detail



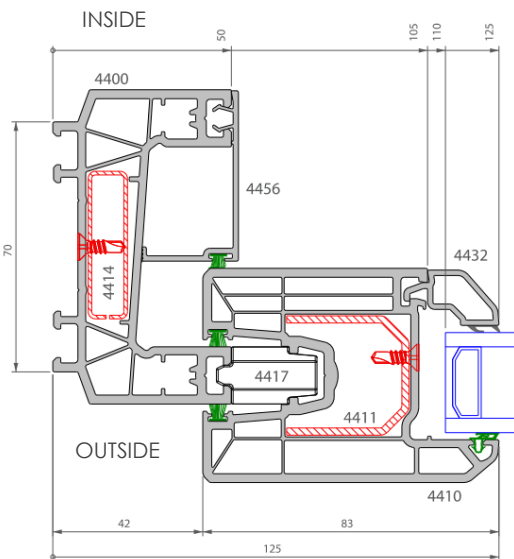
Optional Midrail detail



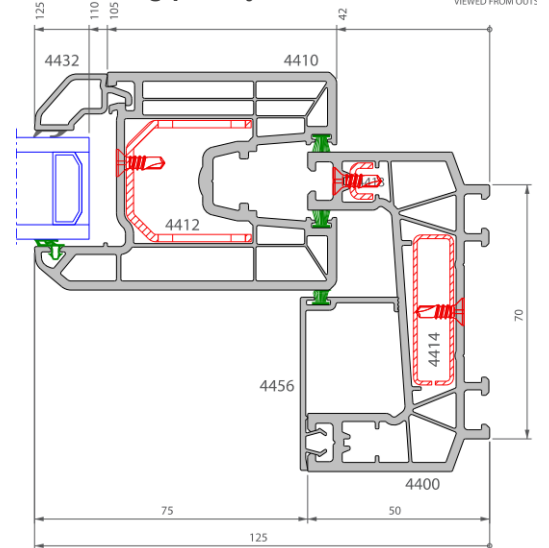
Interlock detail



Fixed pane jamb detail

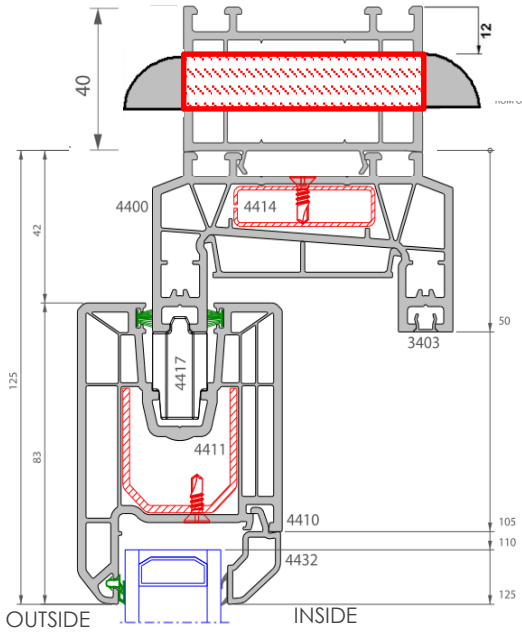


Sliding pane jamb detail

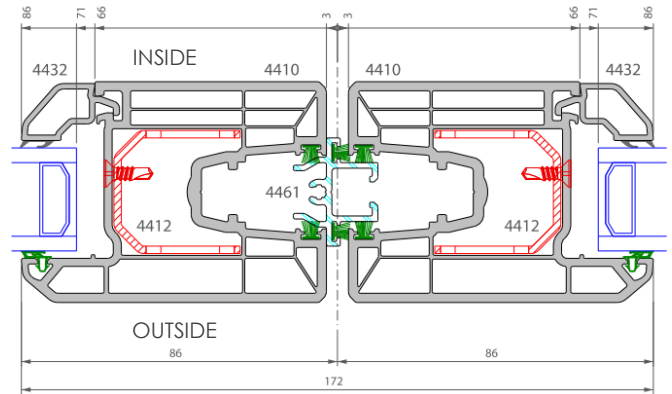


Profile Details

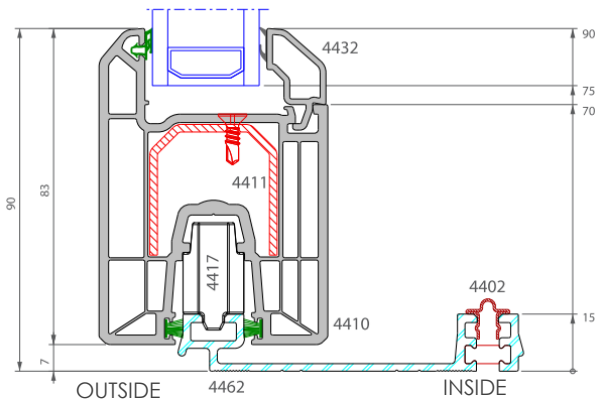
Head Vent detail in 40mm frame extension



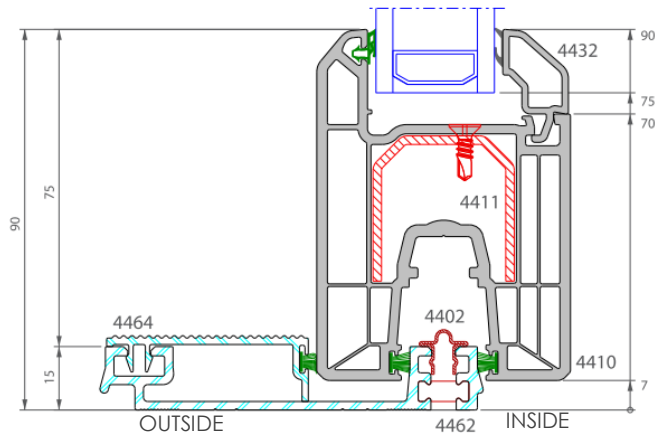
Meeting stiles for centre sliders



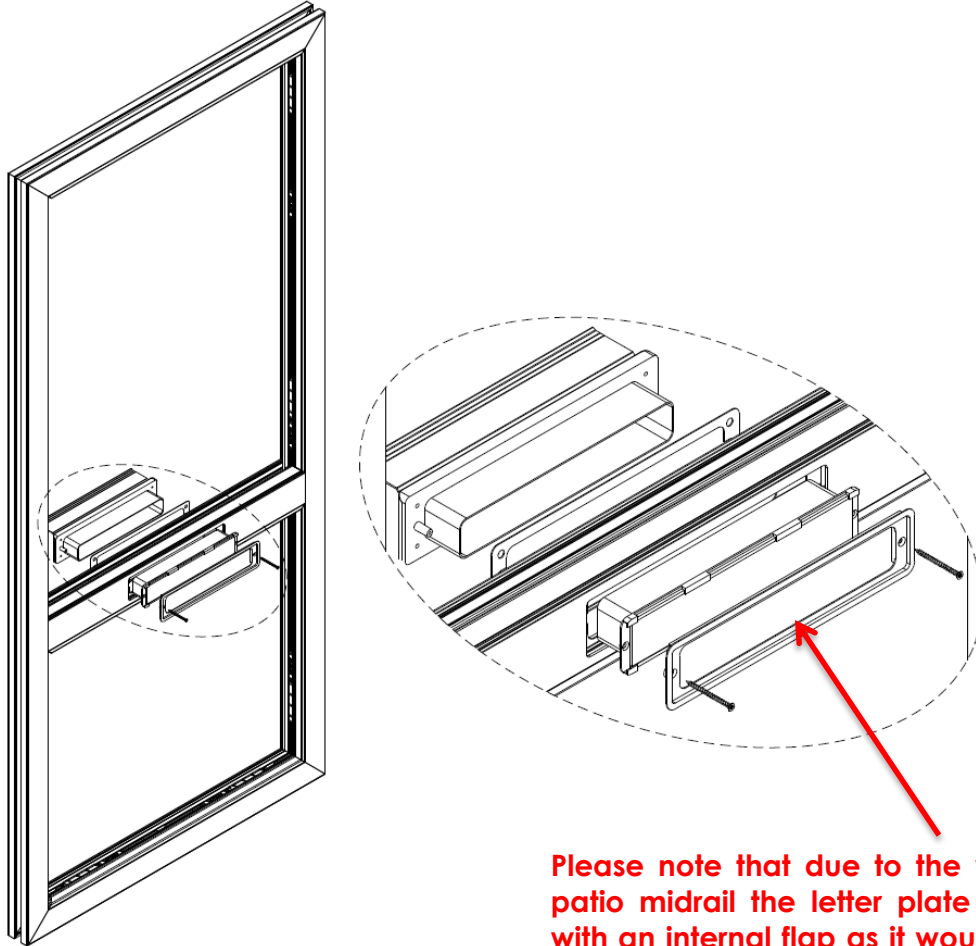
Fixed pane Low aluminium threshold detail



Sliding pane Low aluminium threshold detail

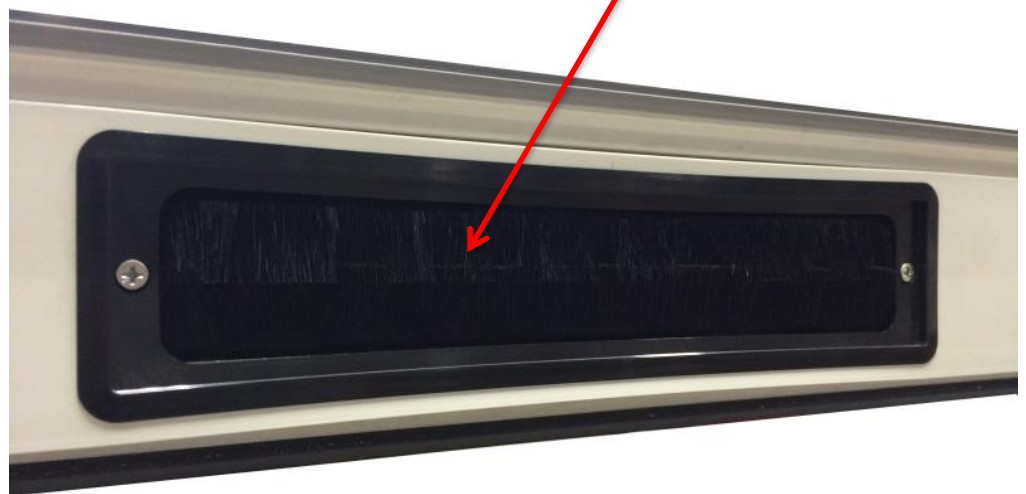


Letter box detail in the midrail

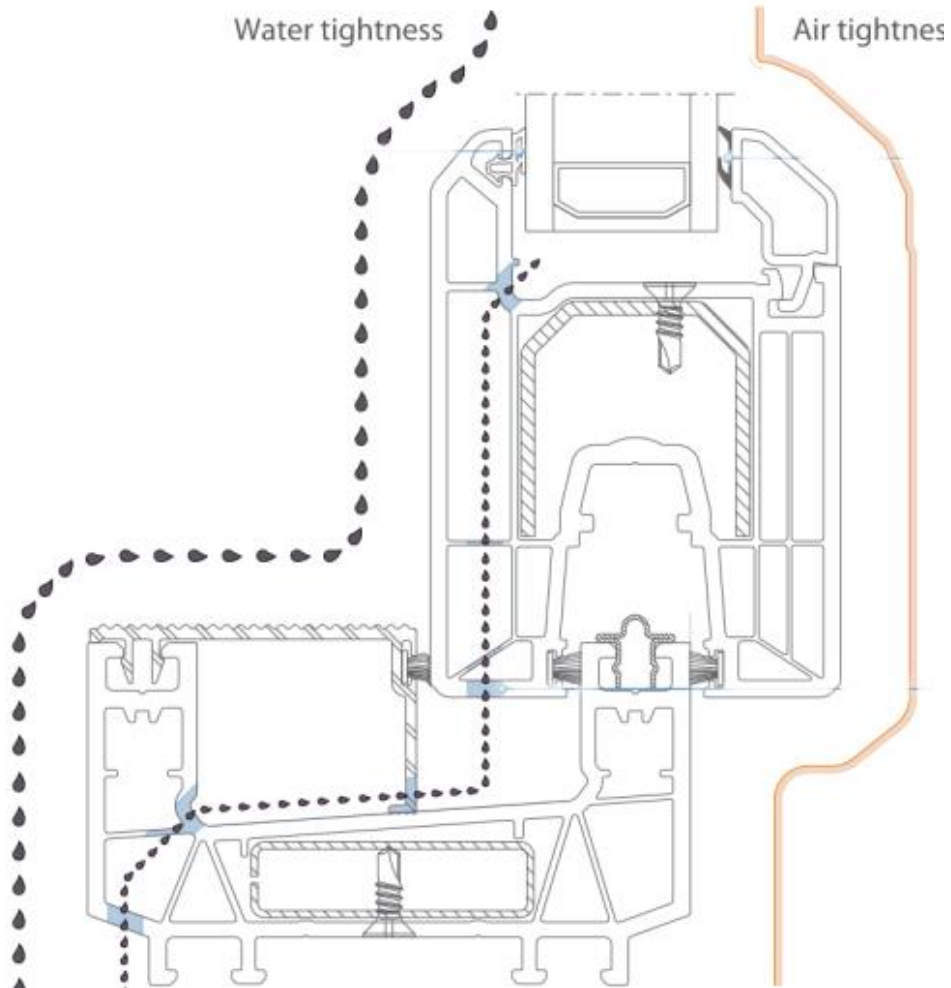


Please note that due to the width of the patio midrail the letter plate is not fitted with an internal flap as it would catch the interlock when opening/closing.

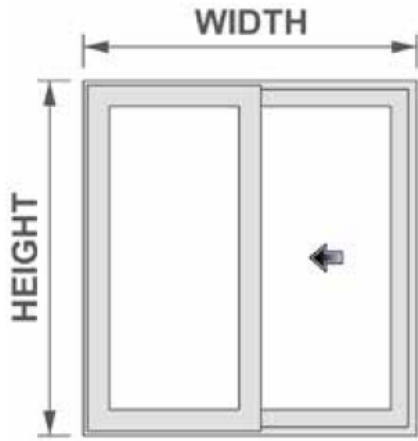
Internal letter plate finish



Drainage detail

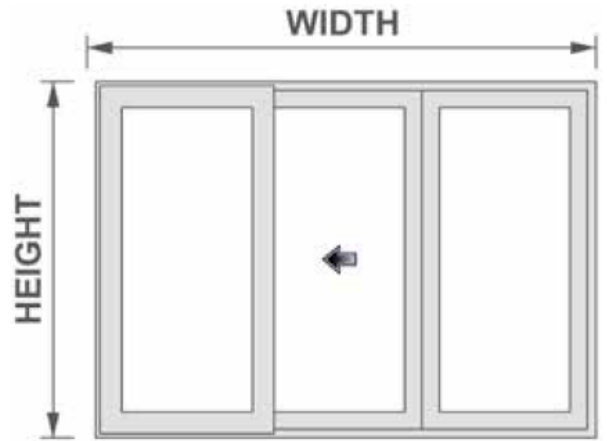


Minimum/Maximum sizes & Frame configurations



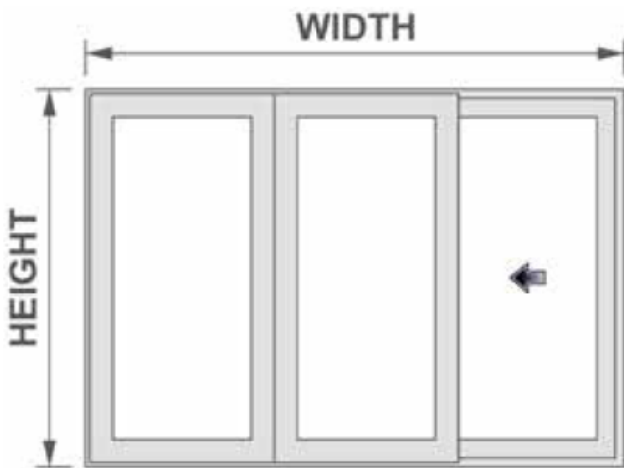
2 pane

Minimum Frame Size (mm)		Maximum Frame Size (mm)	
Width	Height	Width	Height
1505	2000	3005	2350



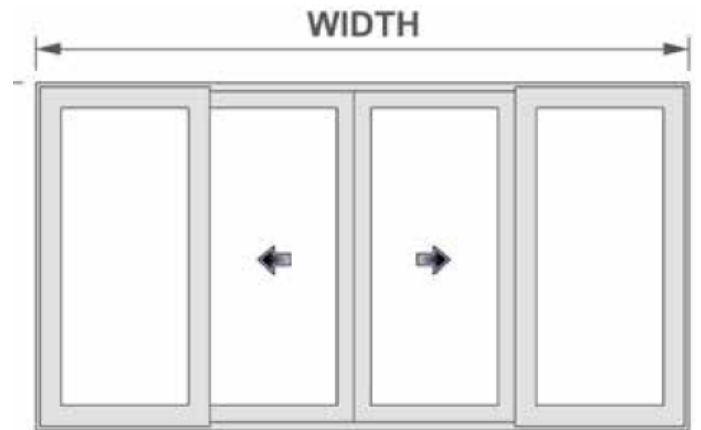
3 pane (central slider)

Minimum Frame Size (mm)		Maximum Frame Size (mm)	
Width	Height	Width	Height
2261	2000	4511	2350



3 pane (end slider)

Minimum Frame Size (mm)		Maximum Frame Size (mm)	
Width	Height	Width	Height
2261	2000	4511	2350

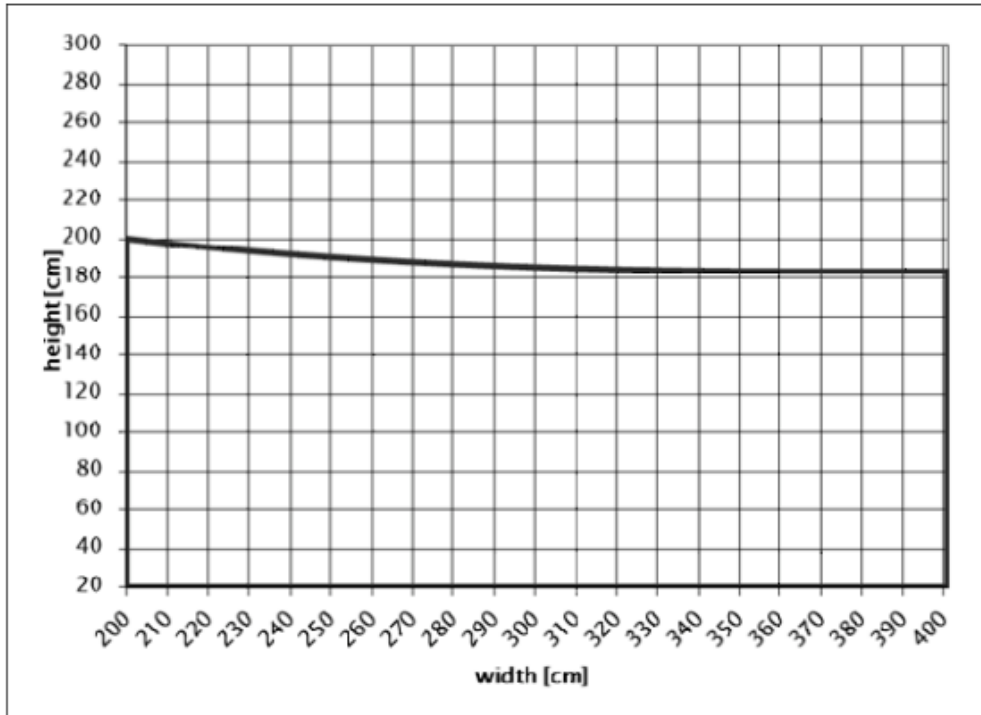


4 pane

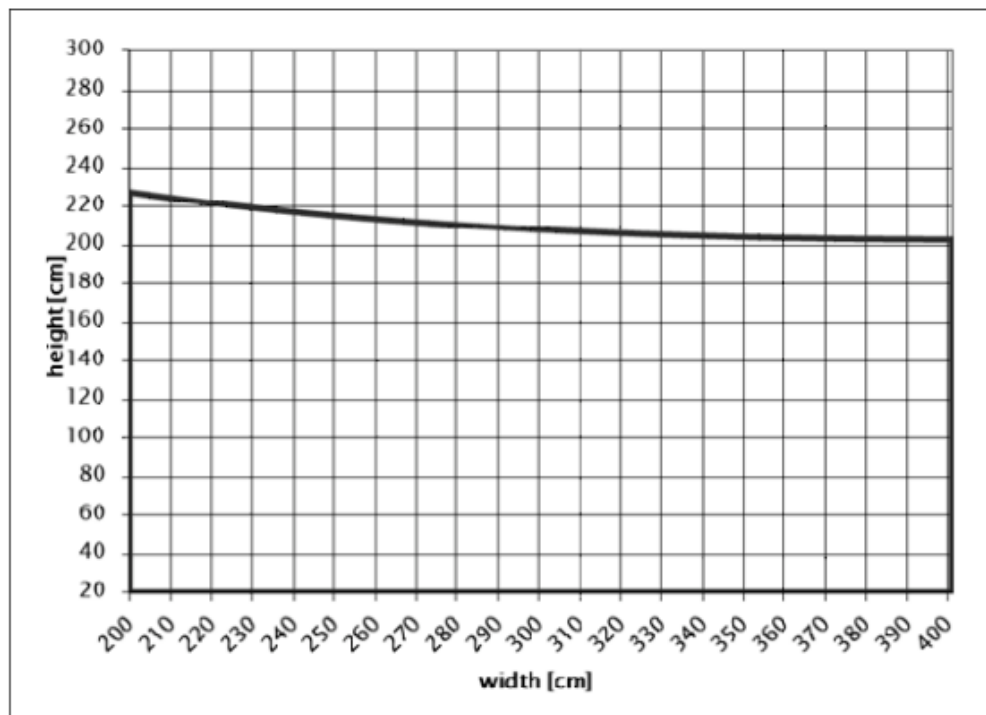
Minimum Frame Size (mm)		Maximum Frame Size (mm)	
Width	Height	Width	Height
2932	2000	5932	2350

Wind Loading based on 2 pane patio doors

Maximum Overall Frame Size (cm) @ 1200Pa Rating - 1/150



Maximum Overall Frame Size (cm) @ 800Pa Rating - 1/150



Colour Range

A unique range of foil colours in 18 colourways from stock, complete with matching ancillaries, trims and accessories.

- Beautiful authentic 'wood like' finish
- Extremely durable
- 10 year manufacturer's guarantee



Premium Collection

Our new range of premium woodgrain foils in 7 colourways from stock. Each colour has its own matching ancillaries, trims and accessories.

- Beautiful authentic 'wood like' finish
- Extremely durable
- 10 year manufacturer's guarantee



Survey and Installation guide

When surveying please use the following deductions, per side

Width/Height of opening	White frames	Non white
Up to 1.5m	5mm	7.5mm
1.5m to 3.0m	5mm	7.5mm
3.0m to 4.5m	7.5mm	11mm
Over 4.5m	10mm	14mm

- During installation ensure that the frames are fitted square and that any debris, installation dust, cement, plaster is clean off immediately to avoid blocking up drainage channels and damaging gearing and fittings
- If a cill is being used ensure that it is screwed to the underside of the patio at 600 intervals and silicone sealed
- Ensure that the patio is squared up prior to fixing, ensure fixings are between 150-250mm of the corners and at maximum intervals of 600mm
- Take care not to over tighten fixings as this may distort the frame
- Ensure the correct glazing packers are used so as not to block up the drainage channels. Fit the beads, Deceuninck recommend that you seal the bottom beads at both ends
- Check that the overlap/cover between the slider and the outer frame is equal top and bottom, if not adjust the wheels until cover is consistent.
- If using the low aluminium threshold option please allow sufficient distance between the finished floor level and the bottom of the sliding door. It is imperative to ensure that the doors are fitted square and plumb to avoid the doors fouling on the finished floor.