

Residence 9, or R9, has been designed as a modern PVC equivalent of the traditional 95mm wide, flush fitting hardwood timber casement window. It enables you to replace wooden window frames with an authentic design and in authentic colours but using a virtually maintenance free composite material.



Close up of a Mullion/transom in Irish Oak laminated profile. You can see the laminate goes all the way across the profile giving an authentic timber appearance.

General specification

- Internally glazed, 28mm double glazed or 44mm triple glazed units
- Mechanically joined outer frame with welded sashes (mechanically joined sashes option)
- Dummy sashes throughout so no reverse butt welds
- Only 3 main profiles, outer frame, sash and mullion/transom, same
- The sashes are the same on windows and doors
- There is an external reinforcing bar (*as seen in the image above*) that is supplied loose on all windows over 1650mm and is fitted on site to give strength. It also replicates the authentic look of an old timber weather bar and can be ordered on any window with a transom or mullion, if required order the frames as fully reinforced
- There is a feature 18mm Georgian bar which is applied on both sides of the glass, the bars have a different internal and external detail
- The profiles are available in a choice of 10 grained laminated colours, 1 smooth laminated colour (Eclectic Grey) as well as 1 plain through colour options (pls see *the colour chart*)
- On the laminated frames the foil covers all of the rebate on the mullions, transoms and the outer frames (*as can be seen in the above image*), this gives the profile an authentic wood appearance
- The run up blocks and end caps match the base profile colour (*see colour chart*)
- The weather seals are black Qlon on dark profiles and white on light profiles
- Profiles are guaranteed for 10 years
- **Head vents are available in either the frame or the sashes – please note that there are no add ons so having them in the head will leave plaster lines tight!**

General specification

- The standard lead time is 4 weeks from order/payment confirmation
- Angles and arched frames are available on an extra 2-3 week lead time
- The smallest arched frame is 592mm
- Double glazed (28mm) with overall U-value of 1.2
- Triple glazed (44mm) with overall U-value of 0.8

Caseament windows

- **Outer frames are mechanically joined, sashes are welded as standard** although these can be upgraded to mechanically joined to match the frame.
- Available as standard with friction hinges and in line handles, optional upgrades:-
 - Addition of dummy butt hinges and/or dummy peg stays
 - Upgrade of handles to pear drop or monkey tail styles
 - Upgrade to mega egress friction hinge
 - Change to working butt hinges and working peg stays
- Standard lock is a Kenrick shootbolt espagnolette
- Claw locks can be fitted to the back of the sashes
- French Fire Escape Windows
- There are no tilt and turns, pivot or vertical sliding windows within the range
- There is no dummy mullion or transom available

Doors – Residential/French and Composite

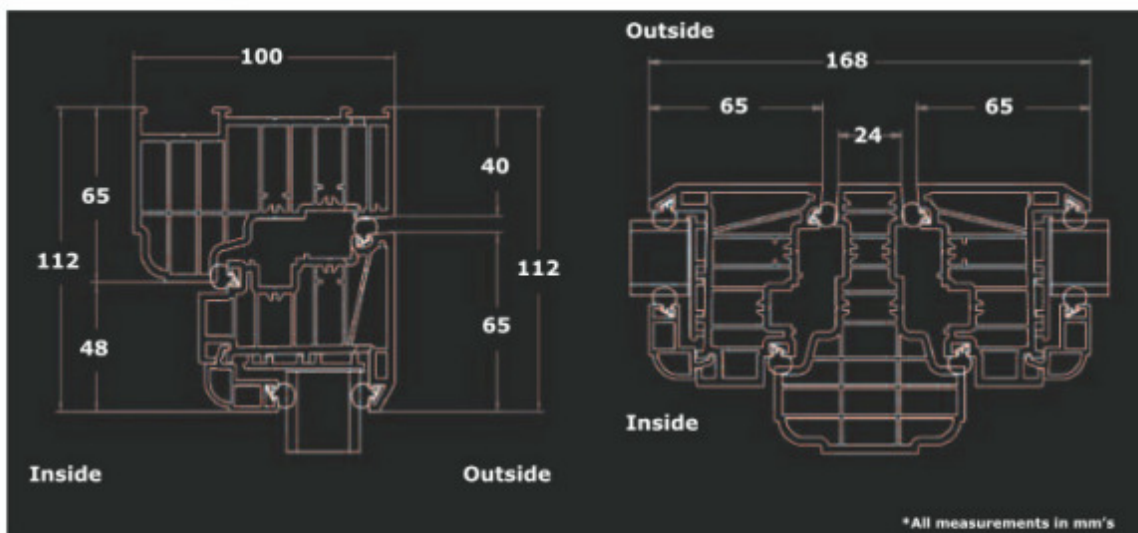
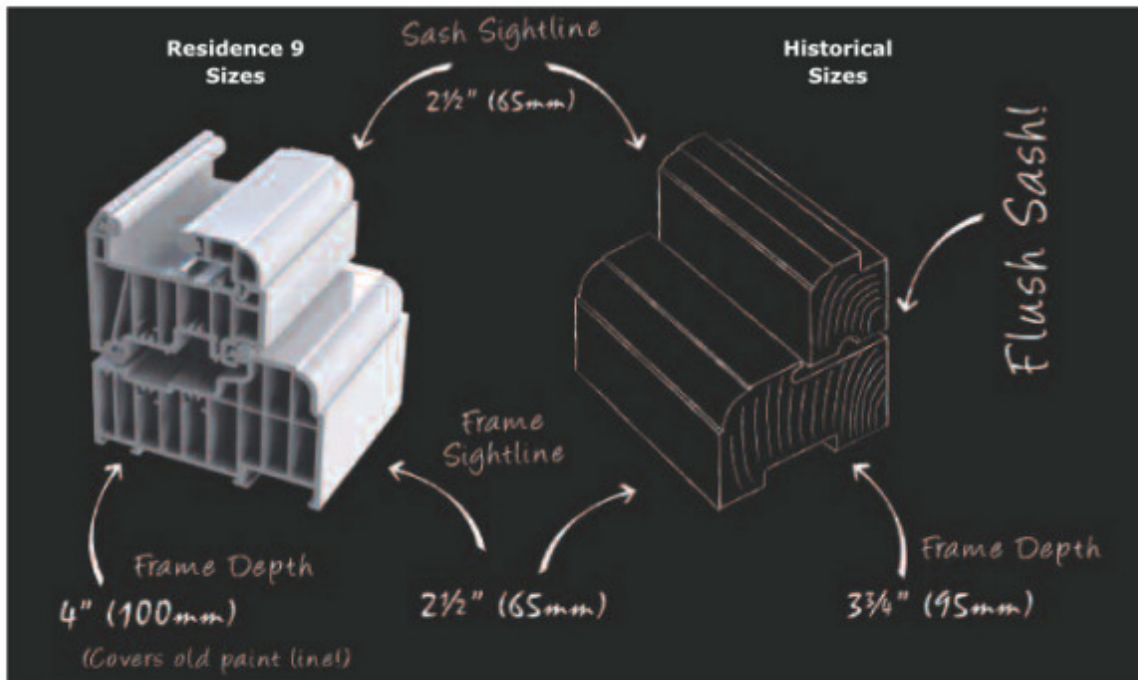
- Residential doors are available open out with a standard PVC threshold or open in with an aluminium low threshold
- Residential doors are available with a three piece lock/keep set incorporating hook bolts top and bottom and a central soft latch and dead latch
- The handles are from our standard Fab'n'Fix range
- French doors are available open out with a standard PVC threshold or open in with an aluminium low threshold
- French doors are available with a three piece lock/keep set incorporating hook bolts top and bottom and a central soft latch and dead latch on the master door and finger bolts on the slave door.
- There is currently no Midrail system for the R9 doors so they have to be either full height glass or panels
- The door sash profile is the same on all four sides, there is currently not an option for a deeper bottom rail.
- Composite doors are available, unlike standard composite doors the slab is actually built around the sash of the R9 door, please see the separate datasheet which details the full range. It is worth noting that not all R9 colours are available for the composite colours so it may be advisable to go for a contrasting colour.
- There is no patio door for the R9 range
- You cannot have an open in door without a low aluminium threshold
- You cannot have an open out door with a low aluminium threshold

Extras

- There is a straight coupler (12mm deduction off each frame)
 - There is a 90 degree square bay post (35.5mm deduction off each frame)
 - There is a variable angle bay post (see the table further on for the deductions)
-

The routine work of replacing windows does not normally require consent from a local authority, especially if it is within the properties permitted development rights. However there are currently 9000 conservation areas and growing, within England, where local planners have stipulated that replacement windows come under Article 4 directives, which basically means that although the use of modern materials are ok the design must be similar to the original window.

With the overall dimensions of the window system being based on the timber (see below), this new window means it is possible to satisfy the requirements of local authorities and provide a modern window with a traditional look.

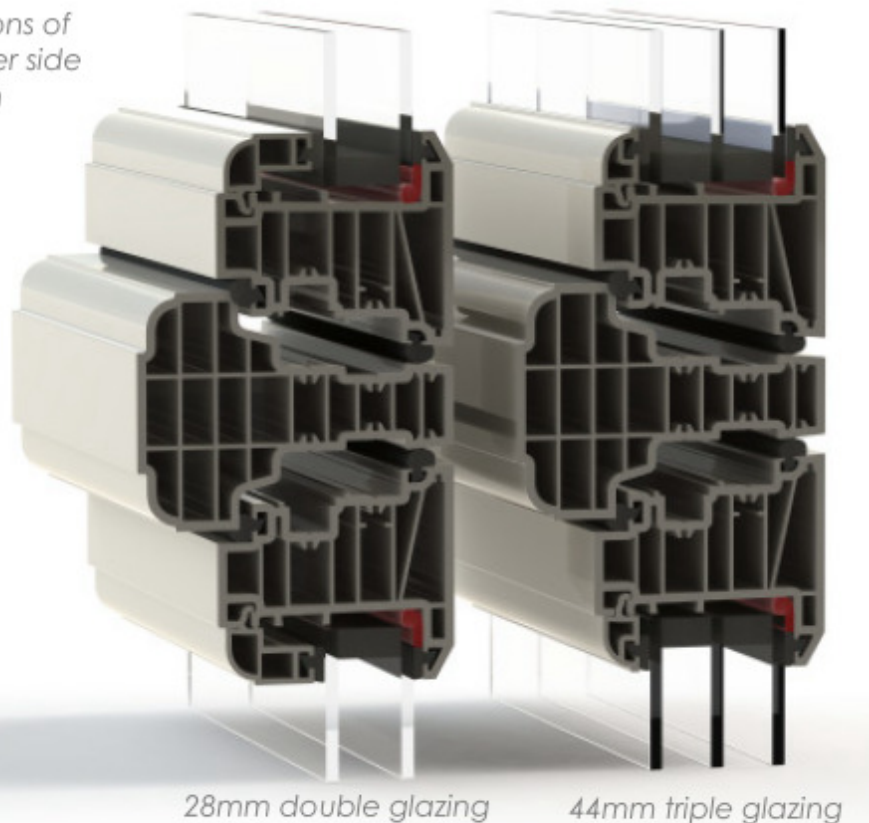


Due to the size of the profile the system has been able to incorporate multiple chambers which ensure that it is one of the best thermally performing windows on the market and with the use of triple glazing able to meet passive house standards.

Glazing

- All internally glazed with dummy sashes throughout and black Qlon weather seals
- Available with 28mm double glazed units giving an overall U-value of $1.2W/m^2K$ (Planitherm, super spacer bar, argon and Planilux with a centre pane U-value $1.219W/m^2K$)
- Also available with 44mm triple glazed units with an overall frame U-value of $0.8W/m^2K$ (Planitherm, super spacer bar, argon and two panes of Planilux with a centre pane U-value of $0.976W/m^2K$)
- At $0.8W/m^2K$ U-value this meets the latest passive house standards and makes it one of the most thermally efficient windows on the market

Cross sections of sashes either side of a mullion



Glazing options

- 18mm wide feature Georgian bar, deep internal bar with smaller external feature bar.
- Any lead designs, stained units or bevelled glass
- Standard range of patterned glass
- All glass is supplied bonded into the sashes, this gives the mechanical joints extra strength and means that all units are factory glazed.

OMEGA

windows, doors & conservatories

Profile Colours

R9 is available with 10 different grained foiled finishes, either both sides or in dual colours with different laminated foils inside and out. There is also one solid through colour, Vintage Cream, which is RAL9001 and one smooth laminated finish, Eclectic Grey.

Residence 9 datasheet



Vintage Cream



Painswick



Eclectic Grey



Irish Oak



Corse Lawn



Clotted Cream



No10 Black



Grained White



Silvered Oak



Cotswold Biscuit



English Oak



Cotswold Green

Profile Colours

The below table represents the available options for the dual foiled colours: -

		INSIDE COLOUR									
		Grained White	Cotswold Biscuit	Clotted Cream	Cotswold Green	Painswick	English Oak	Irish Oak	Silvered Oak	Eclectic Grey	
OUTSIDE COLOUR	Grained White										
	Cotswold Biscuit										
	Clotted Cream										
	Cotswold Green										
	Painswick										
	English Oak										
	Irish Oak										
	Silvered Oak										
	Eclectic Grey										
	No 10 Black										
	Corse Lawn										

It is possible to offer other colour combinations, but you should bear in mind: -

- There is a minimum order quantity of 10 lengths of each required profile (which would normally be outerframe, sash, mullion/transom), this will be reflected in the contract price
- As these special profiles they are only extruded to order and are therefore on a longer lead time, you should allow 8-10 weeks from order to delivery
- Once an order for special colours is placed it cannot be cancelled
- Special one off colours carry a surcharge of 10% over the standard price of the R9 products

The print process may not give 100% accurate colour representation of the actual finish. Furthermore the laminated profiles have extra textural grains. We therefore recommend that you request an actual profile sample or swatch prior to making any decisions.

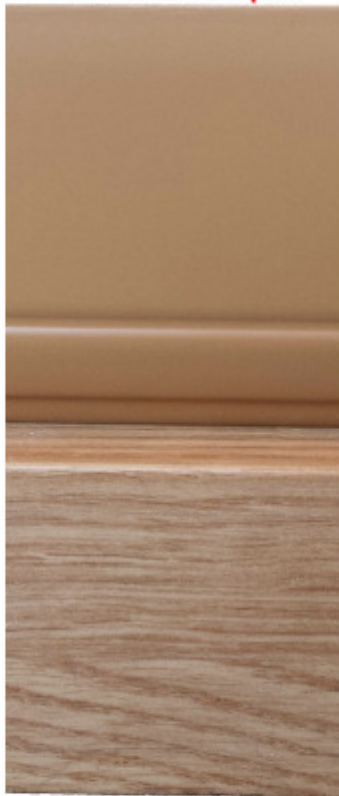
Range of colours with closest available RAL colours

- Grained White – RAL 9010 – on white substrate
- Cotswold Biscuit – RAL 1015 – on a cream substrate
- Clotted Cream – RAL 9001 – on a cream substrate
- Eclectic Grey – RAL 7016 – on a dark grey substrate
- Painswick – RAL 7038 – on a cement grey substrate
- Corse Lawn – RAL 7039 – on a dark grey substrate
- Cotswold Green – RAL 6021 – on a cement grey substrate
- Vintage Cream – RAL 9001 (Solid through colour so not laminated)
- Silvered Oak – RAL 7006* - on a cement grey substrate
- English Oak – RAL1001* - on a caramel substrate
- Irish Oak – RAL1011* - on a caramel substrate
- Nos. 10 Black – RAL 8022– on a cement grey substrate

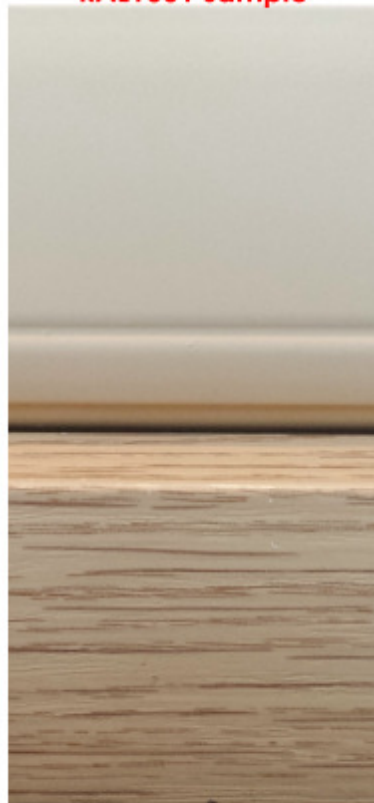
* nearest colour match as these are multi grain/coloured laminates, you are free to pick your own match if you would prefer!

The print process may not give 100% accurate colour representation of the actual finish. Furthermore the laminated profiles have extra textural grains. We therefore recommend that you request an actual profile sample or swatch prior to making any decisions.

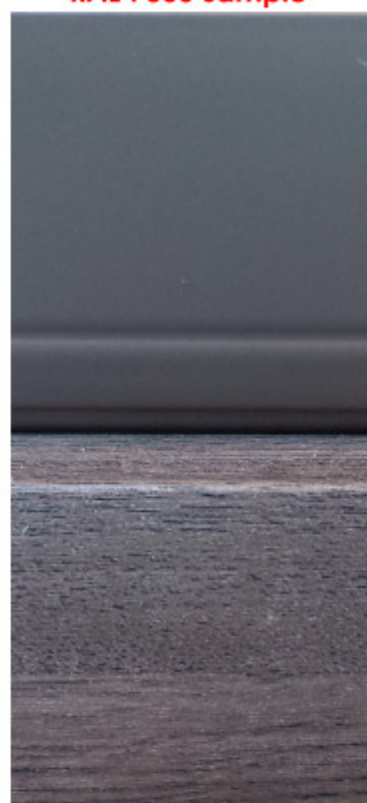
**Irish Oak and
RAL1011 sample**



**English Oak and
RAL1001 sample**



**Silvered Oak and
RAL 7006 sample**



Product Information

As the frames are all mechanically joined there are no reverse bar welds so you will never get any issues with burn off/sprues or poorly cleaned corners.

The corners are all cleated and glued before having the glass bonded in to the sashes. This basically entails us applying adhesive to the sashes before factory glazing the units. This process which is common on the continent provides additional structural integrity for the mechanical joins. It also means that all the glass units will have to be checked and correctly toe and heeled which will reduce the chance of any catching or dropping sashes once installed.

As all the sashes are factory glazed, depending on the style and size of the frame the sashes will be supplied loose ready for you to simply fix the frame and then push in the sashes into specially designed dummy sash fixing blocks.



Detailed view showing a dummy butt hinge on a side hung casement window

Weather bar

Old timber windows often had a raised moulding that ran horizontally across the transom. This bar was to shed dripping water away from the flush fitting sash but also gave the window depth and a distinctive window character. This feature has been recreated for the R9 and is also used to provide external and internal reinforcing to the frame and should be applied on site on all frames wider than 1650mm.

You simply screw on an aluminium reinforcing bar and then attached the laminated capping over the top of it to give you the authentic appearance, (see coupler section for details).



Bays and Corner posts

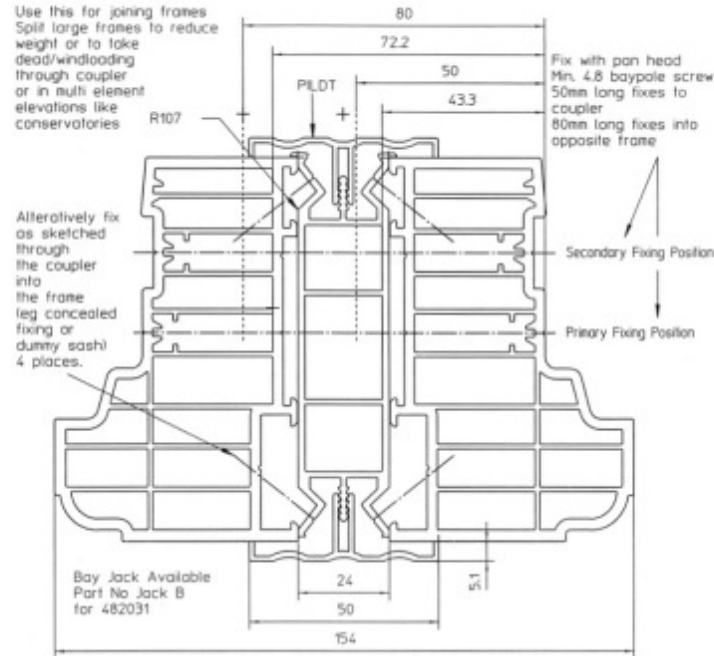
Period houses often had bay windows or grand entrances to the front and rear gardens. We offer a full range of decorative corner posts and couplers with clip in sections in order for these to be recreated.

The range includes a square corner post, a variable angle adapter, and a straight coupler; please refer to the coupling deduction sheets overleaf.

Couplers and Bay deduction details

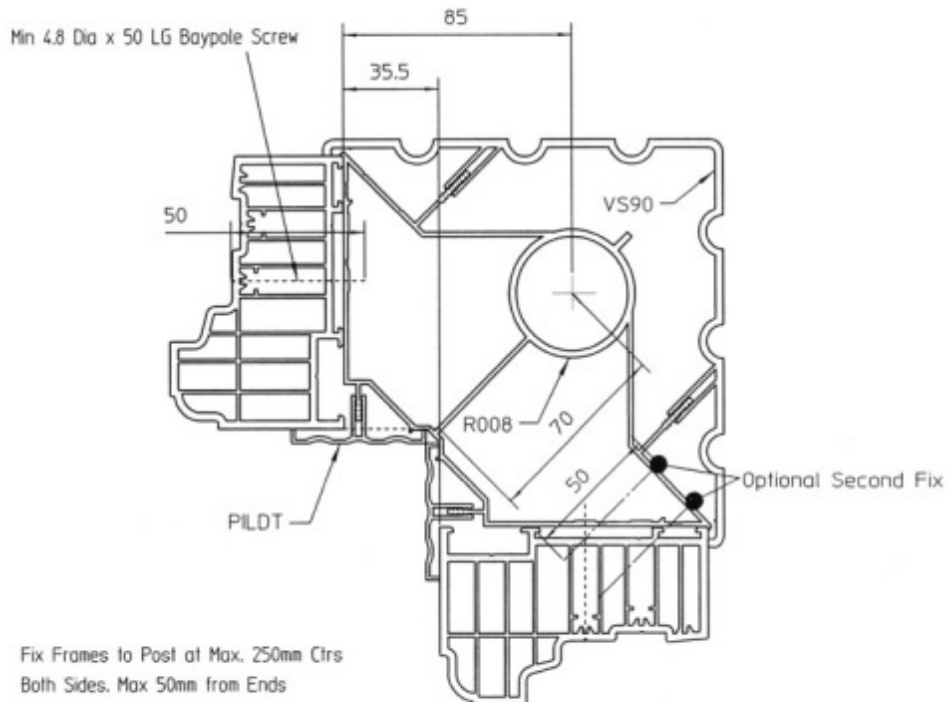
180° Straight Coupler

24mm frame deduction – 12mm off each frame



90° Corner Coupler

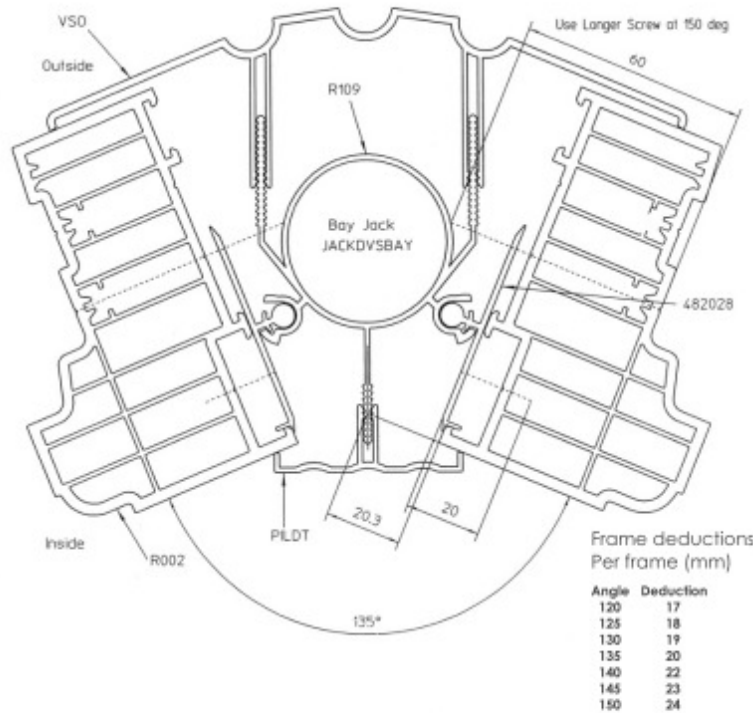
35.5mm frame deduction off frame



Couplers and Bay deduction details

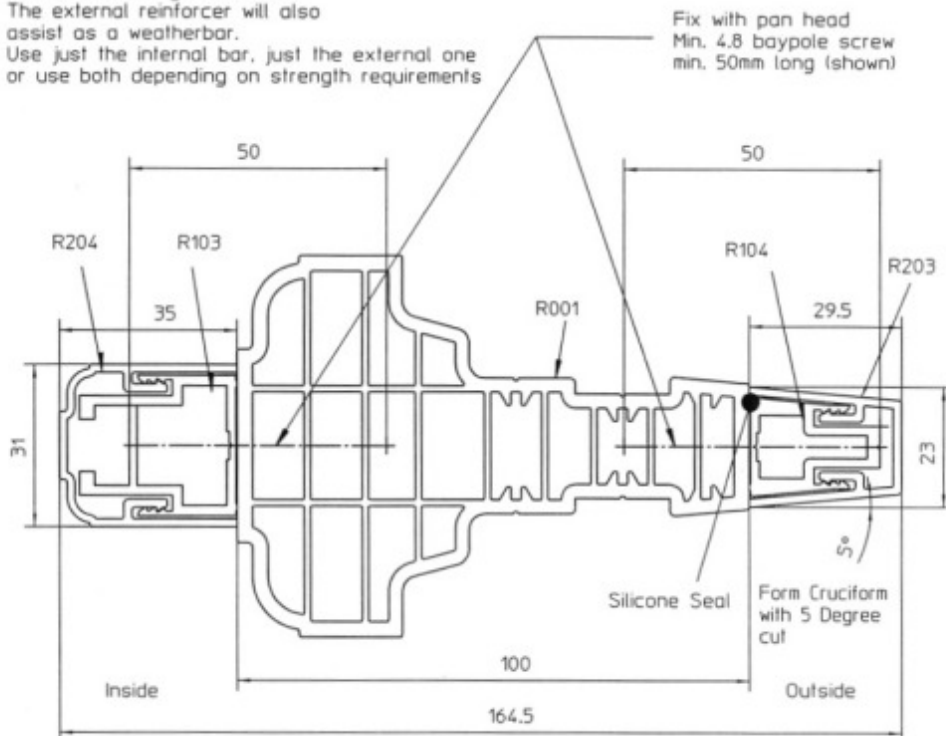
Variable angle coupler

See table for deduction which vary depending on the angle



Transom/mullion

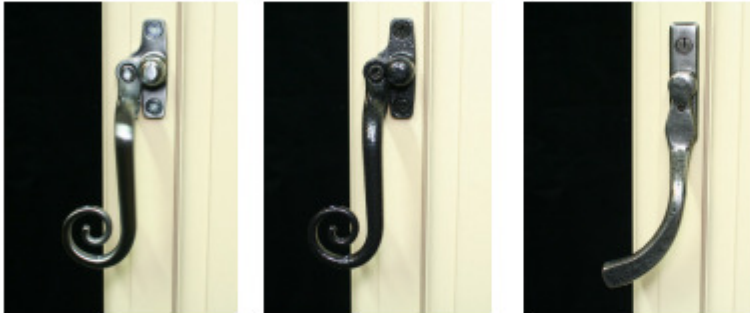
Use the transom/mullion reinforcement to strengthen the section on larger windows or in areas of high windloads. The external reinforcer will also assist as a weatherbar. Use just the internal bar, just the external one or use both depending on strength requirements



Handles

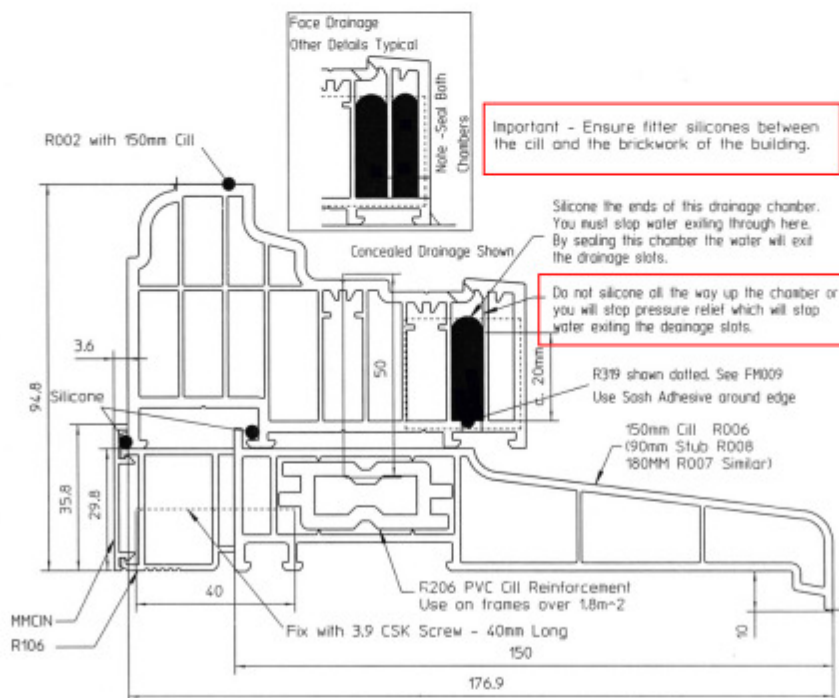
We are able to offer a range of handles from our standard inline range through to the monkey tail and pear drop designs seen in these images. The monkey tail and pear drop handles are available in graphite, chrome, gold, black and pewter.

Door handles are as per our normal standard range as there are currently no matching (monkey tail or pear drop) equivalents.



Drainage

The frames will already be drained and we will have also sealed up the ends of the drainage chamber with silicon and a plastic bung, **it is vital that the small pressure holes that are left (see below) are not blocked during installation.**



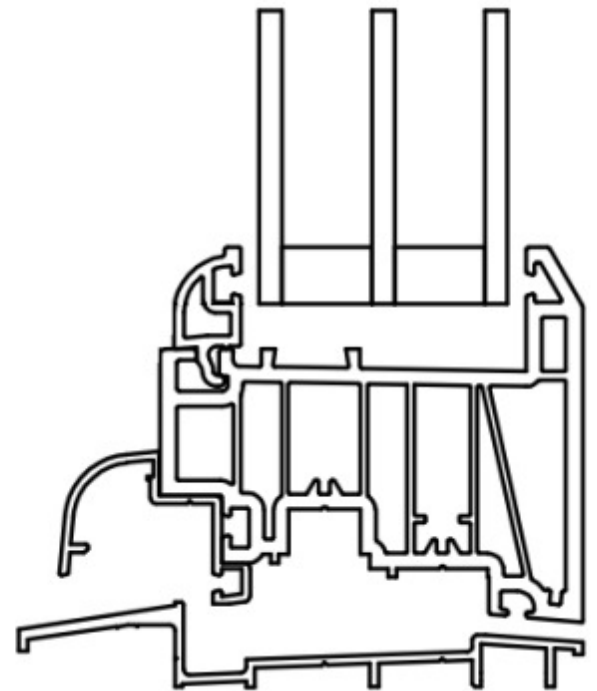
Cills

The system has been designed to utilise the existing range of Deceuninck cills (*obviously foiled in the specific colour ordered*). In order to make the cills fit the 100mm frame width there is an aluminium fill in section that fits behind the cill (part R106); see the diagram on the previous page. If required there is also a flat PVC trim (part MMCIN) which clips into the aluminium cill fill in to close off the rear of the cill.

Cross section of the low aluminium threshold

- Due to the design of the profiles there are certain restrictions for the doors within the R9 suite.
- Doors are available open out with a standard PVC threshold, in order to have an open in door you have to have an aluminium low threshold, it is not possible to have an open out door with a low aluminium threshold.
- The threshold is currently only available in a maximum length of 1.8m so this is the maximum width of a set of French doors* with an aluminium threshold.
- The threshold is available in two colours, silver or gold BUT is not thermally broken.
- The threshold is Part M compliant

Cross section - open in only with low aluminium threshold



*We do not recommend you use the low aluminium threshold on French Doors due to the lack of a proper shootbolt keep. If specified we will supply it but the keeps will be loose for you to fit once the doors have been installed.

PVC coloured trims

We are able to supply the following coloured trims (*please note that the Eclectic grey trims have a grained finished whilst the Eclectic grey profile is smooth*). All the items below come in pack quantities of two, all lengths are 5m.

- 18mm Quad
- 28mm x 6mm D mould
- 45mm, 65mm & 95mm x 5.5mm architrave
- 150mm, 200mm x 9mm flat board
- 235mm, 405mm x 9mm fascia board (double)
- 300mm x 45mm corner
- 300mm x 45mm joiner
- 300mm x 9mm hollow push fit soffit



Corse Lawn
Colour code CL



No 10 Black
Colour code B



Grained White
Colour code GW



Cotswold Biscuit
Colour code CB



Clotted Cream
Colour code CC



Cotswold Green
Colour code CG



Painswick
Colour code P



English Oak
Colour code EO



Irish Oak
Colour code IO



Silvered Oak
Colour code SO

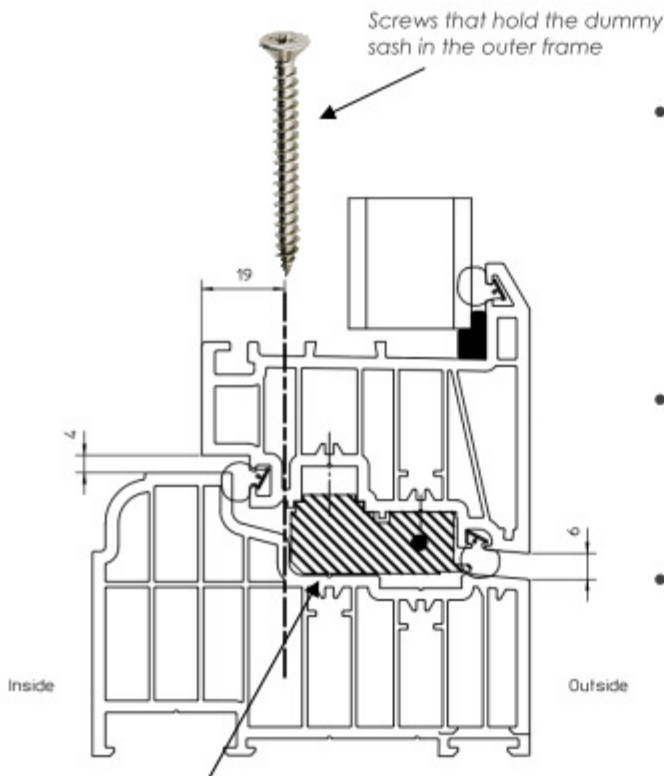


Eclectic Grey
Colour code EG

Method for fixing mechanically joined frames with dummy sashes

Mechanically jointed sashes have the units bonded in place in order to give increased strength to the sash, we have detailed below an explanation of how to install the frames.

- All small to medium sized frames will be delivered with the sashes/dummy sashes pre-glazed and fitted in position; large frame will be delivered with the sashes/dummy sashes supplied loose due to weight restrictions.
- All the sashes/dummy sashes are fitted in the frames on hinges, this will allow you to open all sashes/dummy sashes to fix through the frame. You should use the industry standard position for all fixings.
- Opening sashes are fully beaded, dummy sashes are fitted with temporary sections of bead on the longest jambs (as per the image below) and full beads on the shortest jambs. On the sides with the temporary bead sections in you will be able to see the location of the screws that are holding the dummy sash in place. These will need to be removed in order to open the sash and fix the frame.



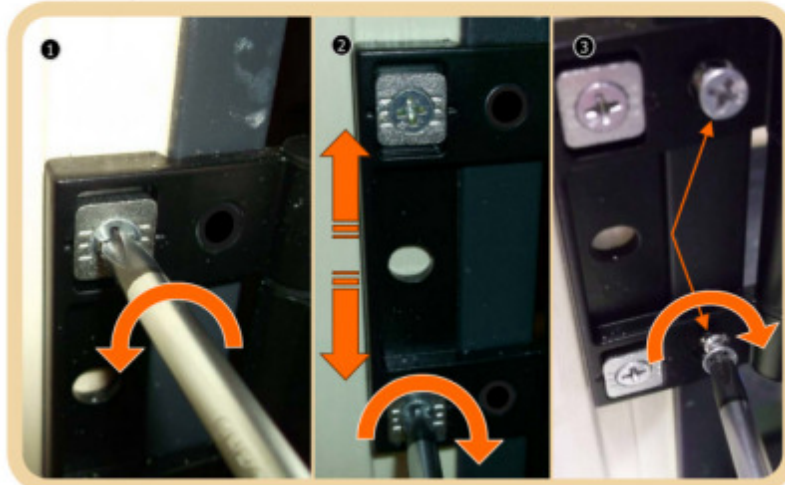
We fit location blocks to square the dummy sashes in the opening

- Remove the location screws on the longest jambs, leaving the temporary glazing beads in place. Remove the beads on the short sides and remove the remaining screws. All dummy sashes are fitted with hinges so you can now open the sash up and fix through the outer frame in to the substrate.
- Once fixed in position close the dummy sash and reposition the location screws through the sash into the frame to secure it shut, replace the short sections of bead.
- You can then remove the temporary sections of bead and replace them with the pre-cut beads that will be strapped to the head of the window. It is important to protect the corners of the beads when you are moving them as they are scribed and vulnerable to damage at the ends.

Adjustable Butt hinges

Tools Required: Cross Head Screw Driver/3mm A/C Allen Key

Height Adjustment:



Slacken top and bottom frame screws on all hinges

Move window sash up or down as required and tighten frame screw up

Insert fixed hole frame screws to all hinges

Lateral Adjustment:

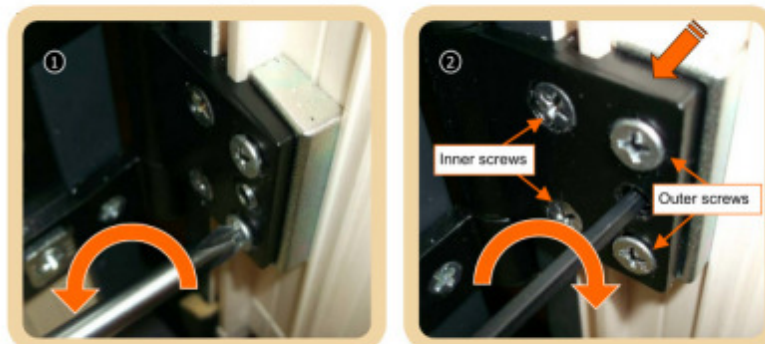
To increase the gap on hinge side: (1 full thread showing = maximum gap)



Turn Grub Screw anti clockwise to turn out

Tighten inner screws
Then check outer screws are tight

To decrease the gap on hinge side: (3 full turns in from flush = minimum gap)



Slacken off inner screws

Turn Grub Screw clockwise to turn in
Then tighten inner screws back up
Then check outer screws are tight

Head Vents



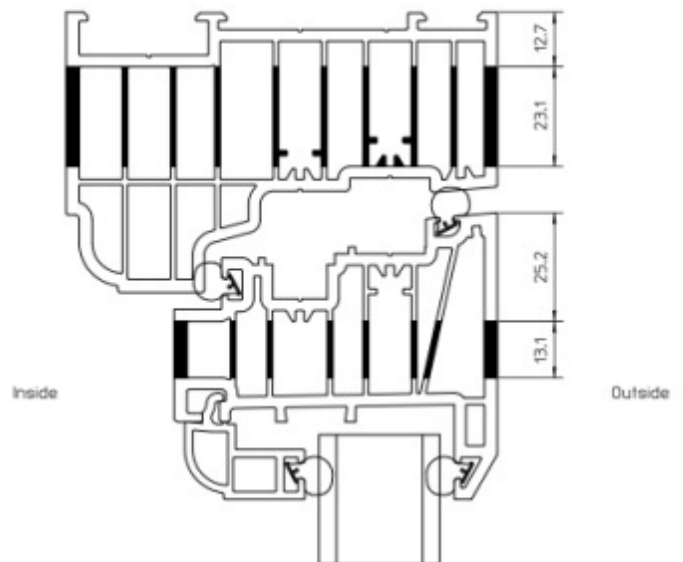
These images show the external of the window with head vents fitted in to the sashes.

It is important to note that there are no extension pieces for the residence 9 window system so positioning head vents in the outer frame could lead to issues regarding the internal plaster lines.

Please be aware that head vents will be sprayed to the nearest colour match, some woodgrain foils have multiple colours on them so we have to pick one colour and match as best we can, please see page 6.

If you want us to use a different colour you must let us know when you place the order otherwise we will use the colours listed on page 6.

These images are taken from the inside of the frame.



Profile Chart

Main Profiles, Beads & Seals

R001 Transom, Mullion & Dummy Mullion
R002 Frame
R003 Sash
R004 28mm Glazing Bead
R005 44mm Glazing Bead
R401 Glazing & Winding Gasket
R402 Fat Gasket
R403 Mechanical Sash Gasket
R404 Fat Gasket

Cills

R006 90mm Cill
R007 105mm Cill
R008 150mm Cill
R009 180mm Cill
R010 PVC Cill Reinforcement for R006 & R007
R011 Left Hand End Cap for R007
R012 Right Hand End Cap for R007
R106 Aluminium Cill Infill
R107 Left Hand End Cap for R006
R108 Right Hand End Cap for R006
R109 Left Hand End Cap for R007
R110 Right Hand End Cap for R007

Reinforcements

R205 Frame PVC Mechanical Joint
R206 Transom / Mullion PVC Mechanical Joint & Screw Retention
R207 Frame & Sash Steel Reinforcement
R208 Frame & Sash Steel Reinforcement
R209 Aluminium Mullion Stiffener Internal
R210 Aluminium Mullion Stiffener External
R211 Internal Trim
R212 External Trim
R213 Frame PVC Mechanical Joint
R214 Transom / Mullion PVC Mechanical Joint & Screw Retention
R215 Frame & Sash Steel Reinforcement
R216 Frame & Sash Steel Reinforcement
R217 34mm In-line Coupler
R218 Jack DWS Baypole Jack for R008 & R009
R219 Jack B482038 Baypole Jack for R007
R220 PVC Trim

Ancillaries

R300 Bridge Fixer (for 28mm & 48mm)
R301 Dummy Sash Spacer
R302 105mm Corner Protector
R303 Frame Joint Support Block
R304 R9 Dummy Sash Lock
R305 Sash Mechanical Joint
R306 Dummy Mullion End Cap
R307 Dummy Mullion End Cap
R308 Dummy Mullion End Cap
R309 Dummy Mullion End Cap
R310 Dummy Mullion End Cap
R311 Dummy Mullion End Cap
R312 Dummy Mullion End Cap
R313 Dummy Mullion End Cap
R314 Dummy Mullion End Cap
R315 Dummy Mullion End Cap
R316 Dummy Mullion End Cap
R317 Dummy Mullion End Cap
R318 Dummy Mullion End Cap
R319 Dummy Mullion End Cap
R320 Dummy Mullion End Cap

Frame Couplers & Bays

R100 Variable Angle PVC Trim
R101 Variable Angle Aluminium
R102 PVC Trim
R103 PVC Trim
R104 PVC Trim
R105 PVC Trim
R106 90° Cornerpost Aluminium
R107 PVC Trim (2 off)
R108 PVC Trim
R109 PVC Trim
R110 PVC Trim
R111 PVC Trim
R112 PVC Trim
R113 PVC Trim
R114 PVC Trim
R115 PVC Trim
R116 PVC Trim
R117 PVC Trim
R118 PVC Trim
R119 PVC Trim
R120 PVC Trim

Georgian Bars

R201 Internal Georgian Bar
R202 External Georgian Bar
R203 Internal Georgian Bar
R204 External Georgian Bar
R205 Internal Georgian Bar
R206 External Georgian Bar
R207 Internal Georgian Bar
R208 External Georgian Bar
R209 Internal Georgian Bar
R210 External Georgian Bar
R211 Internal Georgian Bar
R212 External Georgian Bar
R213 Internal Georgian Bar
R214 External Georgian Bar
R215 Internal Georgian Bar
R216 External Georgian Bar
R217 Internal Georgian Bar
R218 External Georgian Bar
R219 Internal Georgian Bar
R220 External Georgian Bar

Low Threshold

R301 Low Threshold
R302 Low Threshold
R303 Low Threshold
R304 Low Threshold
R305 Low Threshold
R306 Low Threshold
R307 Low Threshold
R308 Low Threshold
R309 Low Threshold
R310 Low Threshold
R311 Low Threshold
R312 Low Threshold
R313 Low Threshold
R314 Low Threshold
R315 Low Threshold
R316 Low Threshold
R317 Low Threshold
R318 Low Threshold
R319 Low Threshold
R320 Low Threshold